

Damper actuators, 16 Nm

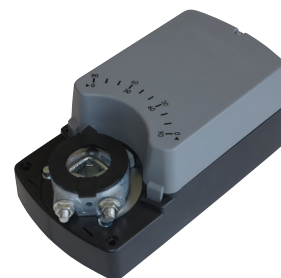
S16



Description

Damper actuator serie S16 to operate and position air dampers in HVAC systems.

- For air dampers up to approx. 3 m²
- Nominal voltage 24 Vac/dc and 100...230 Vac
- Control: Open-close or 3-point and proportional
- Characteristics: universal spindle clamp fo easy direct mounting, shaft dimensions Ø 10 to 20 mm round / □ 10 to 16 mm square, minimum shaft length 50 mm, anti-rotation bracket provided for stability, manual over ride by push button, selectable direction of rotation, adjustable angle of rotation, parallel connection up to 10 actuators.



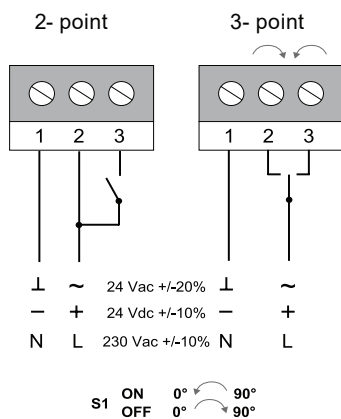
Technical features

Actuator model		S16A	S16B	S16AM	S16BM
Damper area	m ²		3		
Nominal torque	Nm		16		
Power supply	V	24 AC/DC	100...240 AC	24 AC/DC	100...240 AC
Frequency	Hz		50/60		
Power consumption					
- in operation	W		4.5		
- at rest	W	0.5	0.7	0.5	0.7
- for wire sizing	VA		7.0		
Running time	s		70...100		
Sound power level	db (A)		45		
Control signal		2-3 point	2-3 point	0(2)...10 V DC 0(4)...20 mA	0(2)...10 V DC 0(4)...20 mA
Auxiliary switch rating			3 (1.5) A, 230 V AC		
Life Cycle	cycles		60.000		
Rotation angle					
- operating			0-90°		
- limitation			5-85° (steps of 5°)		
Protection class		III	II	III	II
Protection degree			IP54		
Working range °C			-20...+70° C		
Working range RH			5...95% RH, non-condensating		
Storage temperature			-40...+80° C		
Maintenance			free		
Weight	g		<1300		
Standards			CE-conformity, RoHs		
Option			suffix S for models with 2 SPDT auxiliary switches		

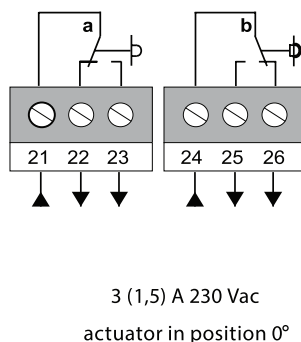


Electrical wirings for models at 2 / 3 points

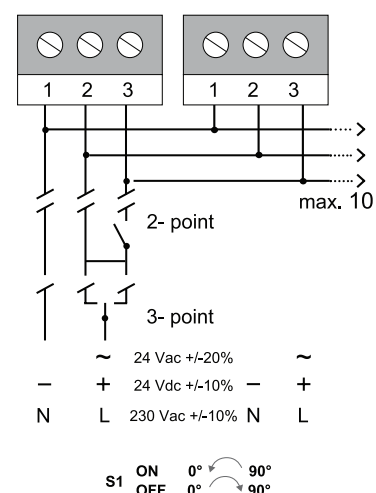
Wiring diagram



Auxiliary switches

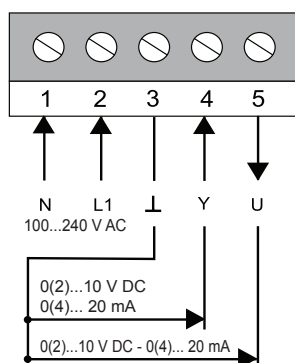


Parallel connections

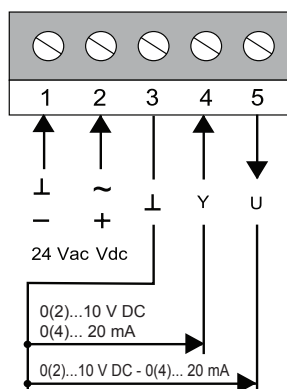


Electrical wirings for proportional models

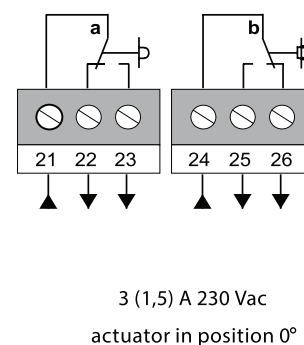
Wiring diagram 230 V AC



Wiring diagram 24 V AC



Auxiliary switches



Settings DIP switches

DIP 1
Feedback signal



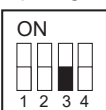
OFF: 0(2)...10 V
ON: 0(4)...20 mA

DIP 2
Input signal starting point



OFF: 0...10 V o 0...20 mA
ON: 2...10 V o 4...20 mA

DIP 3
Input signal



OFF: 0(2)...10 V
ON: 0(4)...20 mA

DIP 4
Rotation direction



OFF: With the increase of the signal,
the actuator rotate counterclockwise
ON: With the increase of the signal,
the actuator rotate clockwise

S2
Rotation direction



option

S16



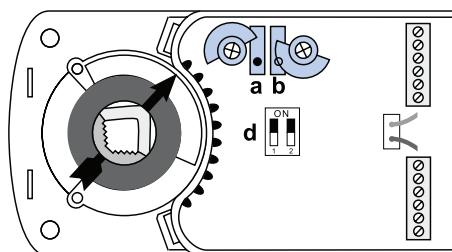
Auxiliary switch adjustment

Factory setting:

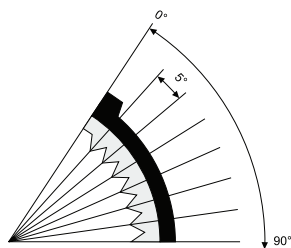
switch a at 10°

switch b at 80°

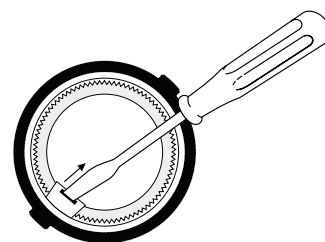
The switching position can be changed manually.



Angle of rotation limiting



Adapter release



■ Dimensions (mm)

